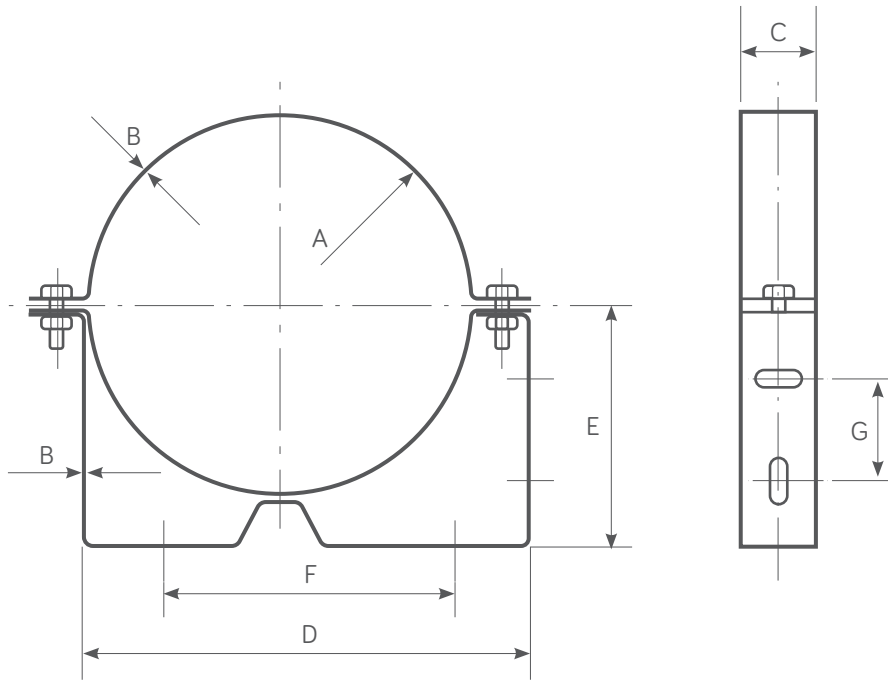


Universal Band Clamps (UBC)

For mounting of Spark Arrestors & Silencers



Mounting Slots = 24mm x 9mm (for 8mm bolts)

DESCRIPTION

These universal band clamps are designed to fit tightly around our full range of spark arrestors.

- Manufactured from galvanized steel.
- The design allows for the spark arrestor/silencer to be mounted in various ways to the equipment.
- The clamps can be fully disassembled to allow for various mounting options

CLAMP MODEL	Weight (KG)	Dim. (A) mm	Dim. (B) mm	Dim. (C) mm	Dim. (D) mm	Dim. (E) mm	Dim. (F) mm	Dim. (G) mm
UBC 90	0.38	92.4	1.5	40	126.4	72.7	88.8	31.7
UBC 125	0.48	127.4	1.5	40	161.8	90.2	117.9	40.2
UBC 150	0.55	152.4	1.5	40	187.0	102.7	126.7	50.2
UBC 175	0.62	177.4	1.5	40	212.1	115.2	135.6	50.2
UBC 200	1.00	202.4	2.0	50	237.2	127.7	153.8	54.7
UBC 235	1.20	233.5	2.0	50	267.3	142.7	167.0	68.7
UBC 270	2.30	272.4	3.0	60	319.6	159.7	215.6	58.7
UBC 300	2.60	305.0	3.0	60	350.2	179.0	215.6	75.0
UBC 360	3.00	356.5	3.0	60	402.3	204.8	249.1	90.8
UBC 400	3.30	397.8	3.0	60	444.7	221.9	249.1	90.8