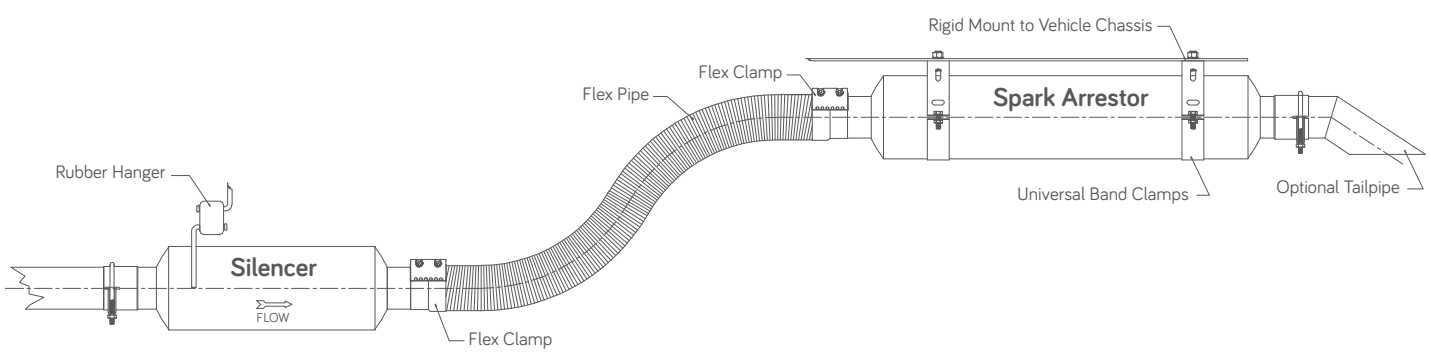
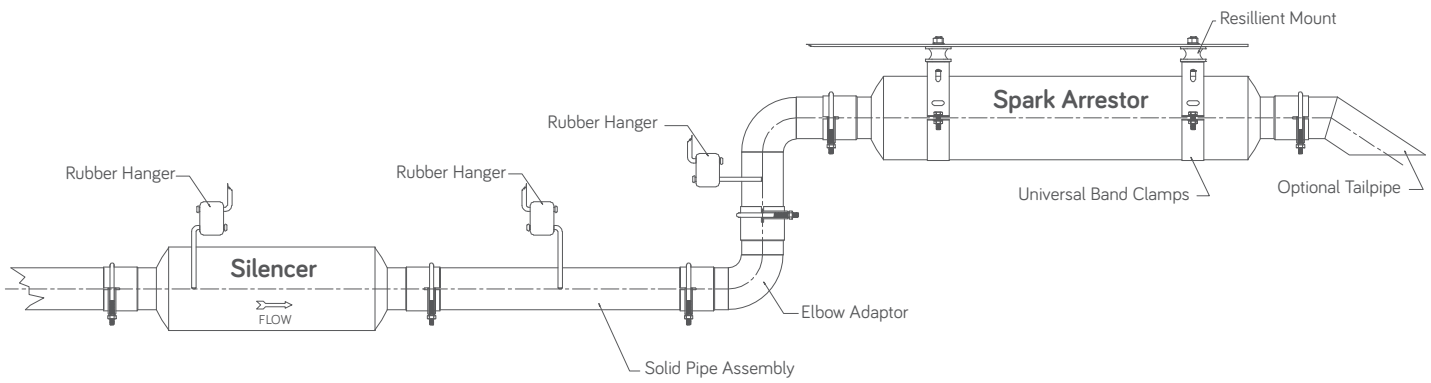




# Installation Examples



**INSTALLATION ORIENTATION**

Western Tydens Spark Arrestors and Silencers can be installed in both horizontal and vertical orientations. Appropriately mounted using suitable brackets and adequate vibration dampening.

